

# TOX®-BatteryTong MBT-C

Data sheet 90.15

2022 / 01



# Home screen

## Product description

The TOX®-BatteryTong is designed as mobile hand tong with low weight and simultaneous joining forces. The clinching tong for joining sheet metal is a cost-effective solution of manually operable machines in the product range of TOX® PRESSOTECHNIK.

1. C-bow
2. Die
3. Punch
4. Safety eyelet
5. Drive
6. Return stroke button
7. Forward stroke button
8. Battery



## Properties and advantages

- Mobile, portable and cordless clinching tong
- Universal and flexible field of application
- Robust and well-established technology
- Well-known TOX®- clinching technology
- Low weight at high joining forces
- Simple operation

## Technology



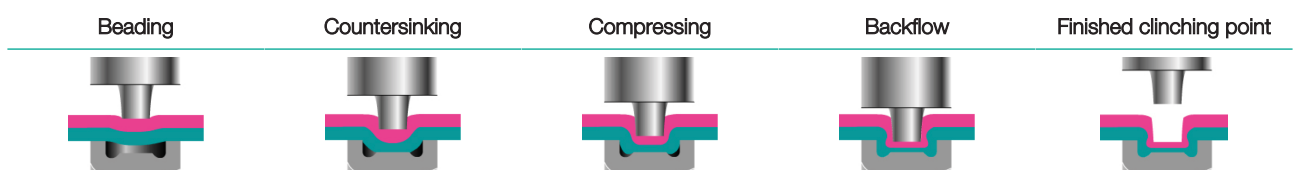
The TOX®-BatteryTong makes possible a wide selection of joining connections of different material and metal thicknesses. We would be pleased to make a test report available to you that is suitable for your application.

## Target branches and fields of application

Vehicle manufacturing, white goods, air-conditioning technology, metal sheet processing, mechanical engineering, research and development.

Pilot series production, prototype manufacture, assembly plants, construction sites, repair solutions, small-batch manufacture, outside of production halls.

## TOX®-Clinching process

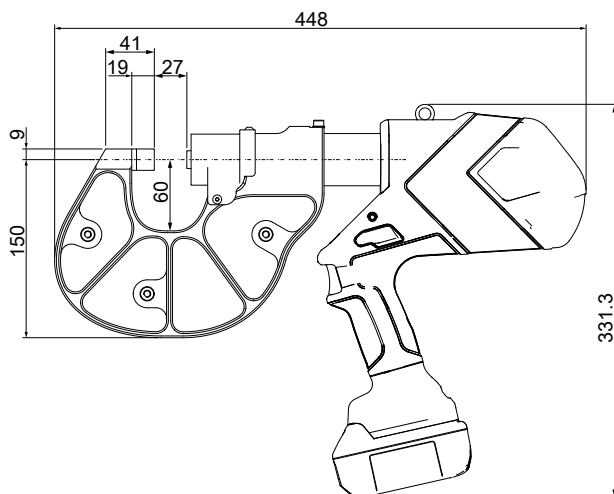
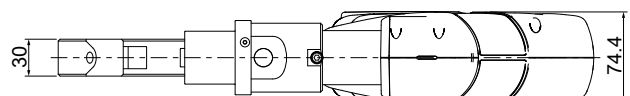
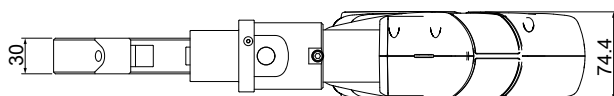
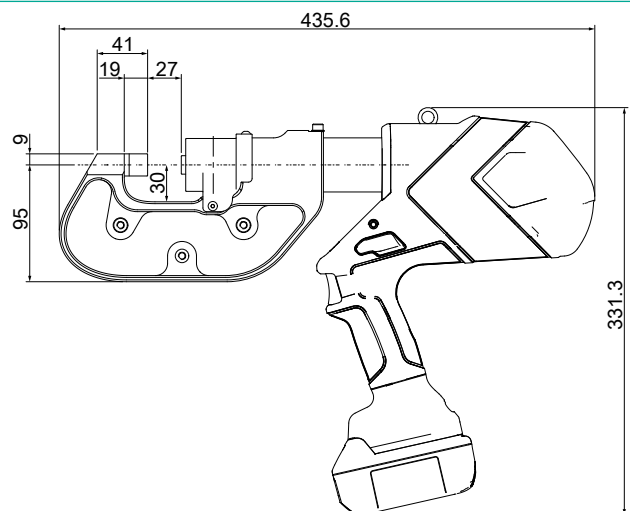


# Technical data

## Models and details

Parameters	Type MBT-C 050.060	Type MBT-C 050.030
Press force	10 kN - 50 kN	
Press force setting	Adjustable via the display on the drive	
Press force precision	+/- 1 kN	
Data interface	Bluetooth interface	
Performance data of battery	Li-Ion 18V 4.0Ah	
Total stroke	approx. 40 mm	
Speed of fast approach stroke / power stroke	max. 10 mm/s / min. 1 mm/s	
Number of clinching points	approx. 400 clinching points per battery charge	
Clinching point diameter	5 mm to 12 mm	
Minimum / maximum metal thickness	2 x 0.5 mm / 2 x 3 mm	
Rotation angle of bow around servo drive	360 °	
Bow opening / throat depth	27 mm / 60 mm	27 mm / 30 mm
Weight (drive with tool)	approx. 7.3 kg	approx. 6.6 kg

## Dimensions

**Type MBT-C 050.060**

**Type MBT-C 050.030**


# Scope of supply

---

## Set consisting of



- Plastic case including foam lining



- Drive
- Frame
- Clinching tools



- Li-ion battery



- Battery charger

## Optional accessories

---



- Additional Li-ion battery



- X-dimension button